

# INDUSTRIAL ROLLERS

**Best compromise on the market!**

**From simple profile  
to turnkey roller!**

**Low inertia  
Lightweight & stiffness**

**Alveotube®  
Aluminium profiles**



**Economical solution**

**Wide choice of  
assemblies & finishings**

**MADE IN FRANCE!**



**ROLL CONCEPT**

**[www.rollconcept.com](http://www.rollconcept.com)**

# INDUSTRIAL ROLLERS

## Best compromise on the market between bending resistance and low inertia

- Lightweight and stiffness
- Unique alveolar structure enabling to combine bending resistance and low inertia

- 2 types of Alveotube® profiles depending on your needs
- Available in different diameter and length



Reference	3RC 48	3RC 60	3RC 80	3RC 100	3RC 120	3RC 130	3RC 145	3RC 200	3RC 230	2RK 120	2RK 145
External Ø (mm)	48,3±0,3	60±0,3	81+0,7/-0,3	101+0,6/-0,3	121+0,7/-0,3	130+0,7/-0,3	145±0,5	201±1,2	230±1,5	120±0,5	145±0,5
Internal Ø (3RC) or Square (2RK) (mm)	27±0,2	31±0,2	40+0,3/-0,5	45±0,4	60±0,4	70±0,4	70±0,4	106±0,7	152±0,2	31,5±0,5	54±0,5
Weight per meter (kg)	1,2	1,8	3,2	5,3	6,5	10,6	9,3	16,5	18,9	6,107	8,42
2nd moment of area (mm <sup>4</sup> )	101 586	201 571	665 597	1 703 730	3 027 662	6 162 454	6 169 528	20 664 981	34 598 085	2,71.10 <sup>6</sup>	5,460.10 <sup>6</sup>
Inertia (g.mm <sup>2</sup> ) for 1 meter	558 715	1,088.10 <sup>6</sup>	3,594.10 <sup>6</sup>	9,200.10 <sup>6</sup>	16,349.10 <sup>6</sup>	33,277.10 <sup>6</sup>	33,315.10 <sup>6</sup>	111,590.10 <sup>6</sup>	186,829.10 <sup>6</sup>	14,636.10 <sup>6</sup>	29,505.10 <sup>6</sup>

### Wide range of assemblies:

- Journal assembly,
- Ball bearings,
- Fixed shafts...

### Wide range of surface coatings:

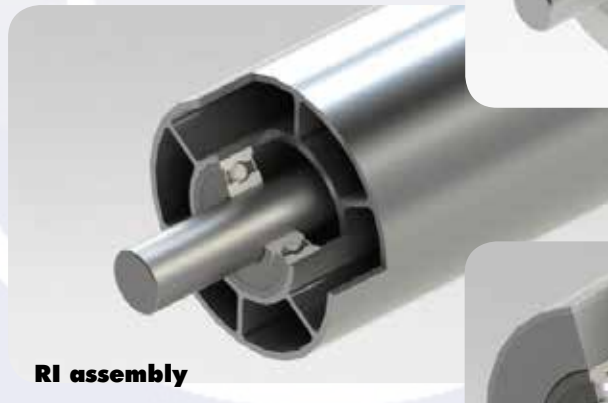
- Hard anodisation,
- Extra polished carbide,
- Plasma, anti-adhesive plasma,
- Lining,
- Teflon®...

### Wide range of surface finishings:

- Straightening,
- Surface machining,
- Machining of helically fluted grooves,
- Balancing...



**Journal assembly**



**RI assembly**



**RE assembly**



**B.I.L. assembly**

Non contractual pictures and datas - Last update: May 2013

**Certified company**



Register number 2011072750

**Spolex SAS**

ZI du Buisson - 7 Rue de la Poudrière  
42230 Roche la Molière - France  
Tel. +33 (0) 477 29 36 81  
Fax +33 (0) 477 29 36 80  
rollconcept@spolex.com

